

# 20 kVA Generator Model – Bruno GX22P

DATA SHEET – ORDER CODE – GEN/20

# TEMPLANT Rental Power

## TECHNICAL DATA

### Electrical

#### Prime

kVA 20  
kW 16

#### Standby

kVA 22  
kW 17

Phases 3  
Voltage 400/230V  
Rated Speed RPM 1500  
Generator Size (Amps) 28  
Circuit Breaker Output 2 X 32 AMP 1P RCBO  
1 X 32 AMP 3P MCB  
Outgoing Connection 2 x 32 Amp 1 Phase  
1 x 32 Amp 3 Phase

### Engine

Manufacturer and Model Perkins GN65732U  
Engine Speed 1500  
Cylinders 4  
Exhaust emission after treatment N/A  
Emission Standard Stage 3  
Sound Level dBa 7m 63

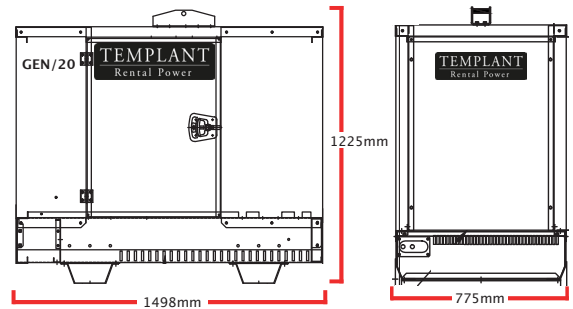
### Alternator

Model Leyroy Somer LSA40M5 C 6/4

Weight With Fluids Except Fuel 600  
Weight With Fuel (Kg) 680  
Shipping Volume m3 1.68

### Fuel

75% load Prime (L/h) 3.8  
Fuel Tank (L) 70



## KEY FEATURES

- Lifting Point Lift ✓
- Fork Truck Pockets ✓
- RCD Protection ✓
- Auto Start ✓
- DSE Remote Monitoring ✓



## OPTIONAL EXTRAS



Trailer 3400mm x 1600mm 1300Kg  
Gensafe Container 3000mm x 2400mm x 2700mm 2500Kg



### Remote Monitoring

The DSE WebNet Gateway is used in conjunction with supported DSE controllers to provide remote monitoring and communication data.



**WE OPERATE 24 HOURS A DAY  
365 DAYS A YEAR**  
Emergency Phone 0333 240 0872



Registered in England No. 3454838  
VAT Reg No. 649057415  
Est. 1989

**Templant Hire Ltd**  
Chelmsford  
Essex CM1 3PT

0333 240 0872  
rental@templant.co.uk  
www.templant.co.uk